



Description

Mircom's FS-400 wall mount strobes offer a visual solution that deliver exceptional energy efficiency in a compact design. Utilizing advanced LED technology, the FS-400 strobes provide a lower current draw which allows for more devices on a NAC circuit while reducing the number of external power supplies required.

The FS-400 strobes can be field-configured for 15, 15/75, 30, 75, 110, 185 cd. The candela setting is displayed through the front window for easy identification. The device settings are located on the back of the unit to prevent tampering.

The FS-400 strobes can be synchronized using a control panel with the Mircom sync protocol or the SDM-240 synchronization module.

The FS-400 strobes utilize a universal mounting plate that allows for mounting to a single gang, double gang, octagon, 4" junction or 4" square electrical box. The back plate allows the installer to mount the plate and connect the wire connections. The device attaches to the mounting plate and is secured by a single mounting screw. In addition, the FS-400 can mount to the Mircom BB-400 Series back box for surface mount applications.

Compliance

- UL 1971
- UL 1638
- ULC-S526
- NFPA 72 2016 Edition

Features

- Compact Design
- Advanced LED technology provides superior current draw performance
- Lower power consumption per device allows for more notification appliances per circuit and reduces the need for external power supplies
- Standard and High candela settings in one unit to meet virtually any application
 - 15, 15/75, 30, 75, 110, 185 cd
- Device settings are located on the back of the unit to prevent tampering
- Includes shorting clip that allows installers to test the wiring before the device is installed
- Supports 12 to 22 AWG
- Mount to Mircom BB-400 surface mount back box, single gang, 4-inch square, double gang, octagon and 4-inch junction boxes
- All units include universal mounting plate
- Red or white finish
- For indoor applications

Engineering Specifications

The strobe shall be a Mircom FS-400 notification appliance for wall mount applications. The strobe shall be of a low current draw design and operate at 24 VDC regulated or full wave rectified. The strobe shall incorporate a Light Emitting Diode (LED) as the light source and have six field selectable settings of 15, 15/75, 30, 75, 110, 185 candela. The candela selection shall be in a visible location. The candela settings shall be tamper resistant. The strobe shall be synchronized using a control panel with the Mircom sync protocol or the SDM-240 sync module. The strobe shall utilize a mounting plate that allows the installer to pre-wire the mounting plate. The mounting plate shall mount on a single gang, double gang, octagon, 4-inch square box or Mircom's BB-400 series back box. The strobe shall be listed to UL standard 1638, Visible Signaling Devices for Fire Alarm and Signaling Systems and standard 1971, Signaling Devices for the Hearing Impaired. In addition, the strobe shall be listed to ULC S526, Visible Signal Devices for Fire Alarm Systems.



Specifications

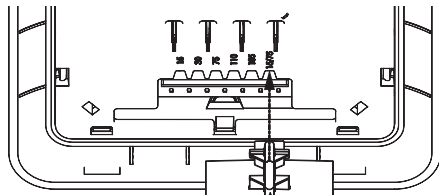
General Specifications

Operating temperature	0°C to 50°C (32°F to 122°F)
Humidity range	0% to 93%
Strobe flash rate	1 Hz
Nominal Voltage	Regulated 24 VDC / 24 VFWR
Operating Voltage Range (RMS)	16 to 33
Input terminal wire gauge	22 AWG to 12 AWG
Installation environment	For indoor use only

FS-400 Wall Strobe Operating RMS Currents (mA)

Candela	Regulated 24 VDC	Regulated 24 VFWR
15	25	64
30	39	106
75	102	189
15/75	93	189
110	105	189
185	179	241

Candela Settings



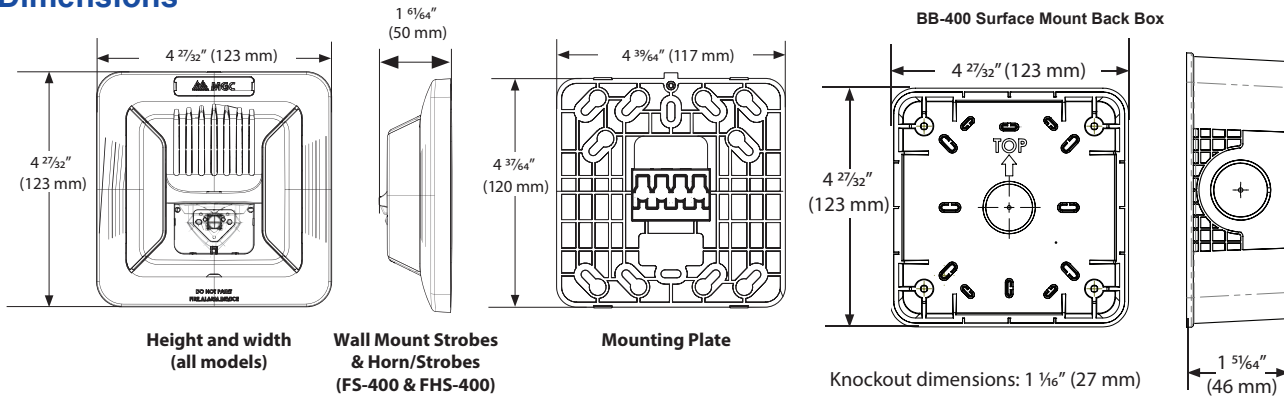
Candela setting switch

Light Output Dispersion

Degrees	% of Candela Rating	
	Horizontal Dispersion	Vertical Dispersion, Wall to Floor
±0	149	148
±5	146	149
±10	143	153
±15	138	135
±20	134	104
±25	128	101
±30	123	94
±35	116	92
±40	106	84
±45	99	75
±50	92	68
±55	87	65
±60	82	61
±65	78	58
±70	75	54
±75	73	49
±80	72	43
±85	81	40
±90	53	30
Compound ±45°	42	

Note: The values are shown as percentages of the rated light output at any candela setting.

Dimensions



Ordering Information

Model Number	Description
FS-400-RR	Wall Mount Strobe, Red
FS-400-WW	Wall Mount Strobe, White
BB-400R	Surface Mount Back Box, Red
BB-400W	Surface Mount Back Box, White
SDM-240	Synchronization Module

NOT TO BE USED FOR INSTALLATION PURPOSES.



Canada
 25 Interchange Way
 Vaughan, Ontario L4K 5W3
 Telephone: (905) 660-4655
 Fax: (905) 660-4113

U.S.A.
 4575 Witmer Industrial Estates
 Niagara Falls, NY 14305
 Toll Free: (888) 660-4655
 Fax Toll Free: (888) 660-4113

Web page: <http://www.mircom.com> Email: mail@mircom.com

Distributed by:



CAT. 5274
 Rev. 0